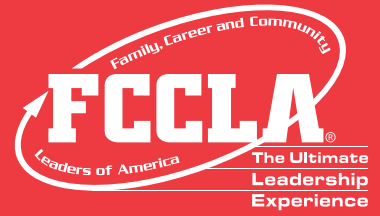


FCCLA STAR Event

Interior Design Competition Guidelines



Excerpt from the NKBA Kitchen & Bath Planning Guidelines

KITCHEN PLANNING GUIDELINE 7

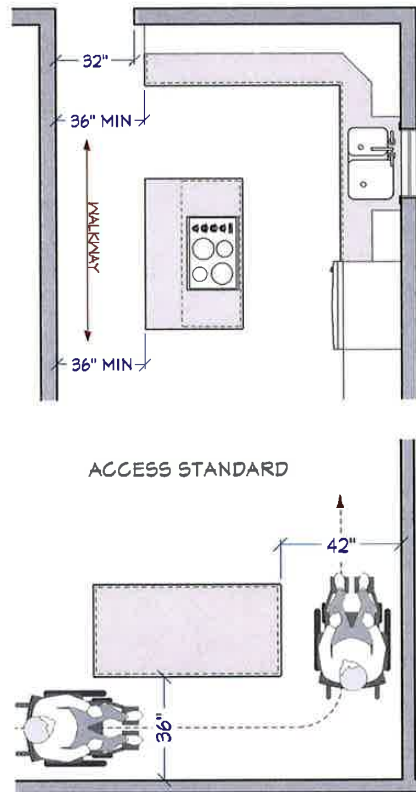
Walkway

Recommended:
The width of a walkway should be at least 36" (914 mm).

Code Requirement:
State or local codes may apply.

Access Standard

Recommended:
If two walkways are perpendicular to each other, one walkway should be at least 42" (1067 mm) wide.



KITCHEN PLANNING GUIDELINE 9

Seating Clearance

Recommended:
Kitchen seating areas should incorporate at least the following clearances:

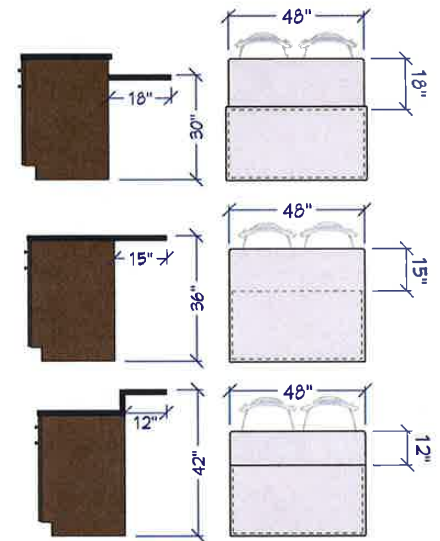
- a. 30" (762 mm) high tables/counters: Allow a 24" wide x 18" deep (610 mm x 457 mm) knee space for each seated diner.
- b. 36" (914 mm) high counters: Allow a 24" wide x 15" deep (610 mm x 381 mm) knee space for each seated diner.
- c. 42" (1067 mm) high counters: Allow a 24" wide x 12" deep (610 mm x 305 mm) knee space for each seated diner.

Code Requirement:
State or local codes may apply.

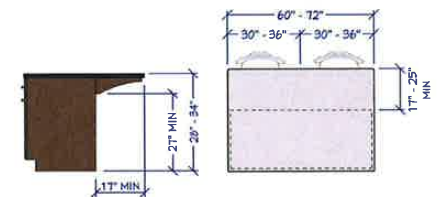
Access Standard

Recommended:
Kitchen seating areas should be 28"-34" (711 mm-864 mm) high x 30"-36" (762 mm-914 mm) wide x 17"-25" (432 mm-635 mm) deep to better accommodate people of various sizes or those using a mobility aid.

Recommended minimum size for a knee space at a table or counter is 36" wide x 27" high x 17" deep (914 mm wide x 686 mm high x 432 mm deep).



ACCESS STANDARD



NKBA.org/Future I
1-800-THE-NKBA

FCCLA STAR Event Interior Design Competition Guidelines

(Continued from front)

KITCHEN PLANNING GUIDELINE 8

Traffic Clearance at Seating

Recommended:

In a seating area where no traffic passes behind a seated diner, allow 32" (813 mm) of clearance from the counter/table edge to any wall or other obstruction behind the seating area.

- a. If traffic passes behind the seated diner, allow at least 36" (914 mm) to edge past.
- b. If traffic passes behind the seated diner, allow at least 44" (1118 mm) to walk past.

Code Requirement:

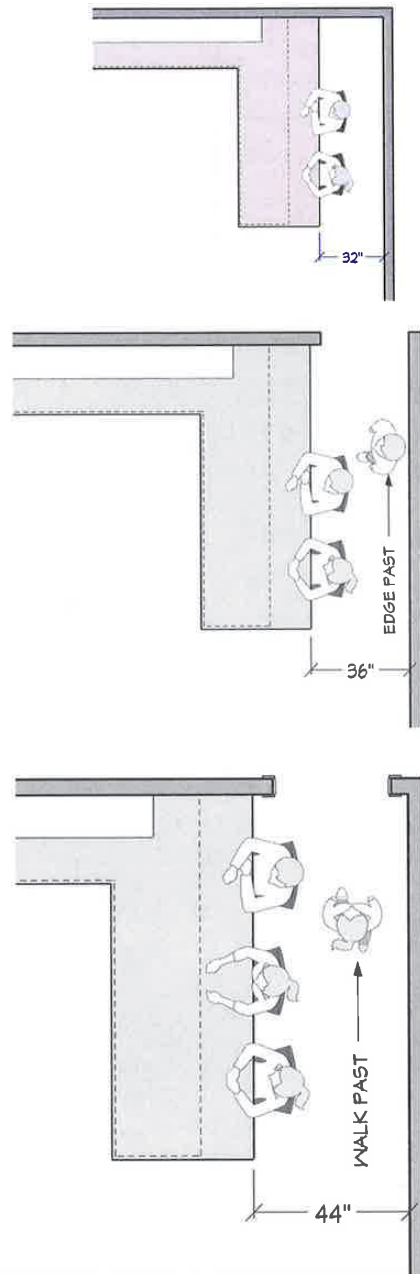
State or local codes may apply.

Access Standard

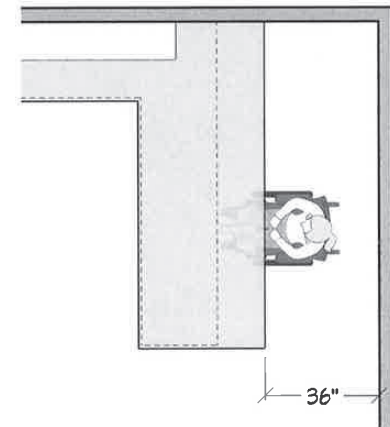
Recommended:

In a seating area where no traffic passes behind a seated diner, allow 36" (914 mm) of clearance from the counter/table edge to any wall or other obstruction behind the seating area.

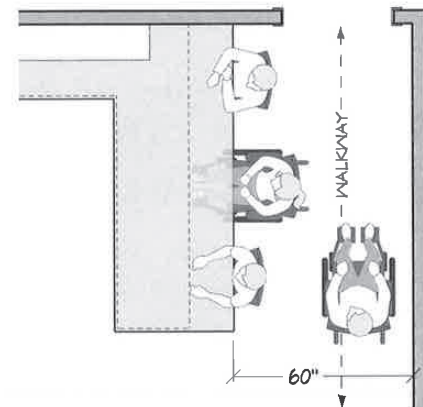
If traffic passes behind the seated diner, plan a minimum of 60" (1524 mm) to allow passage for a person in a wheelchair. This will be impacted by the depth of the knee space.



ACCESS STANDARD



ACCESS STANDARD



NKBA.org/Future I
1-800-THE-NKBA

To purchase the NBKA Kitchen and Bathroom Planning Guidelines with Access Standards, 2nd Edition eBook, visit www.nkba.org.

